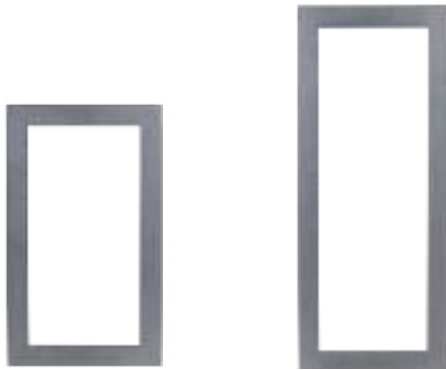


# VTM125/VTM126

Panel



VTM125

VTM126

### Technical Specification

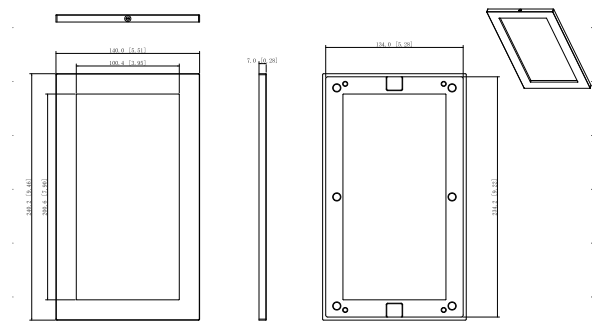
|            |  |
|------------|--|
| Model      | VTM125                                   |
| Color      | Silver                                   |
| Dimensions | 140mm×240.20mm×7.0mm (5.51"×9.46"×0.28") |
| Material   | Aluminum                                 |

|            |  |
|------------|--|
| Model      | VTM126                                   |
| Color      | Silver                                   |
| Dimensions | 140mm×340.40mm×7.0mm(5.51"×13.40"×0.28") |
| Material   | Aluminum                                 |

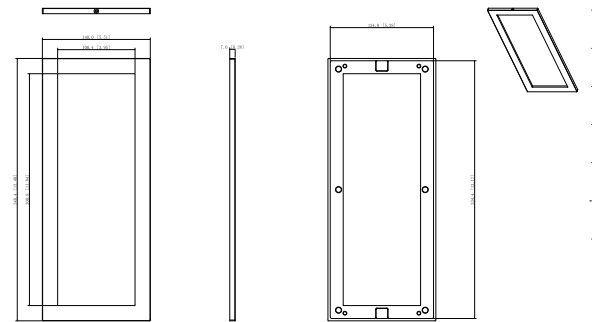
### Ordering Information

| Model  | Description  |
|--------|--|
| VTM125 | 2-modular panel, used with VTM127, and applicable to VTO4202F-X series |
| VTM126 | 3-modular panel, used with VTM128, and applicable to VTO4202F-X series |

### Dimensions (mm[inch])



VTM125



VTM126